

FEATURES

- Supports CyberDisplay® 300M LV
- Supports NTSC or PAL (525 and 625) line monochrome systems
- Integrated DC-DC converter provides all necessary voltages for the LCD display panel
- Internal sync separator, PLL, and logic provide all necessary timing signals to the LCD display panel
- Gamma function provides adjustment to the video output characteristics
- Hsync recovery for camcorder rewind
- Power supply; 2.5V - 3.6V
- Internal power down mode
- 48LQFP package

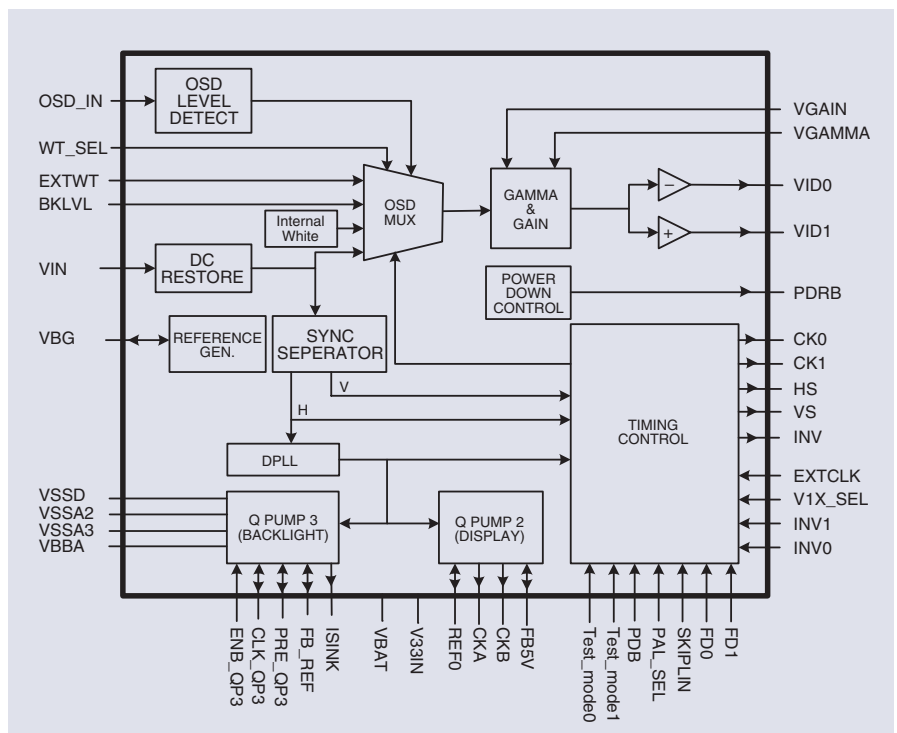
BLOCK DIAGRAM

Functional Description

The A300 driver IC supports the CyberDisplay® 300M LV monochrome display. It accepts a standard monochrome video signal in NTSC or PAL (525 or 625 lines), and converts it for display.

The A300 provides all necessary power supply voltages to the display panel by means of charge pump circuits. The input video signal is converted to appropriate differential video signals required by the LCD display. A separate on-screen display (OSD) input is provided.

An on-chip sync separator, Digital PLL (Phase Lock Loop), and logic control section generate the appropriate horizontal and vertical timing signals for the CyberDisplay 300M LV.



*Specifications subject to change without notice

DISPLAY MARKETING

Tel: 508-870-5959 Fax: 508-870-0660

HONG KONG

Tel: 852-2607-4151 Fax: 852-2607-4156

JAPAN

Tel: 81-3-5325-3549 Fax: 81-3-5322-2929

KOREA

Tel: 82-31-337-2451 Fax: 82-31-335-7680

cyberdisplay@kopin.com