

FEATURES

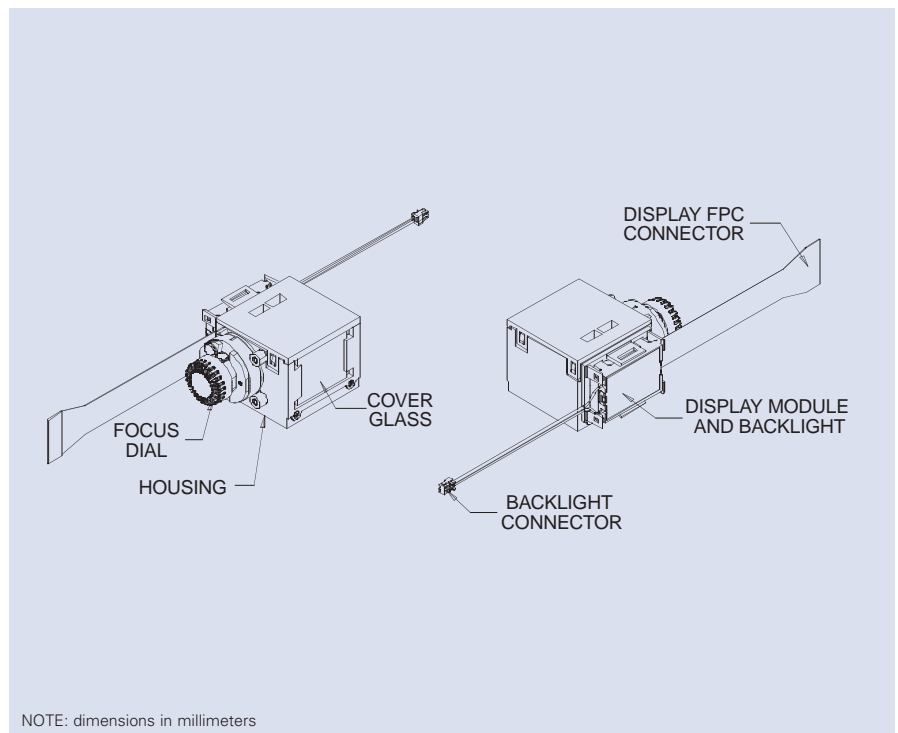
- Complete Electronic Viewfinder (EVF)
- QVGA resolution (320 x 240)
- Large image size (16 inches diagonal at 1 m)
- High-quality Optics
 - 22-degree field of view
 - 16 mm eye relief
 - 3 mm exit pupil
 - less than 1% distortion
- Easy-to-use focusing mechanism
- Lightweight (6.6 g)

MECHANICAL OUTLINE



Complete Electronic Viewfinder Module

The CyberEVF™ 230K, the world's first complete Electronic Viewfinder (EVF) for digital cameras, incorporates all the EVF components an OEM requires: a full-color microdisplay with QVGA resolution, ultra-thin backlight, optics, and housing with an easy-to-use focusing mechanism. This complete EVF solution will enable digital camera OEMs to shorten the design time for new products and substantially reduce the assembly cost. The CyberEVF 230K's tiny size and lightweight enables OEMs to shrink their cameras to a pocket-size form factor. With 15x image magnification and 22-degree field of view, the viewfinder generates large, vivid color images with virtually no distortion or color aberrations.



*Specifications subject to change without notice

DISPLAY MARKETING

Tel: 508.870.5959
 Fax: 508.870.0660
 arichard@kopin.com

DS-0009, REV.1, 5/2005

The CyberEVF 230K provides the digital camera user with a large, crisp, full-color image equivalent to a 16-inch screen at a distance of 1 m.

MECHANICAL

Dimension	20 mm (W) x 18 mm (H) x 25 mm (D)
Weight	6.6 g

CYBERDISPLAY 230K

Resolution	320 x 240 (QVGA)
Diagonal Size	0.24" (6 mm)
Active Area	4.80 mm x 3.60 mm
Color Configuration	Vertical stripe

OPTICAL

Field of View	22° diagonal
Virtual Image Size	16 inches diagonal at 1 m
Eye Relief	16 mm
Exit Pupil Diameter	3 mm
Eye Pupil Offset	±2.0 mm
No Vignetting	21 mm
TV Distortion	±1.0%
Focus Range	-3.0D – +1.0D

ENVIRONMENTAL

Storage Temperature	-20°C to 60°C
Operating Temperature	0°C to 60°C
Humidity	40°C at 80%RH, 240 hrs
Shock	2 foot drop on concrete
Vibration	5 Hz – 60 Hz – 5 Hz, 30 min, 5 cycles all 3 axes
ESD (Human Body Model)	2000 V electric discharge
MTBF	20,000 hours (based on accelerated testing)
Focus Dial Durability	1500 cycles, full range back to front

DIOPTR

Focus Adjustment	One click (~0.4D) 12°
	Full rotation 180°
	Rotation force 0.2 Ncm – 0.4 Ncm
	Dial backlash, radial ≤2°
	Dial backlash, thrust ≤0.1 mm

Technical Support is available to customers via email, fax or telephone.